



Roll Bar Installation - 1979 Chevrolet® K10 Truck

Covers Part #9262, 9262X

Kit contents:

- Roll bar assembly
- Front roll bar mounts (2)
- Rear roll bar mounts (left & right)
- Adhesive foam body spacers (2)
- 2.6x12 mm button-head cap screws (BCS) (self tapping) (4)

Tools required:

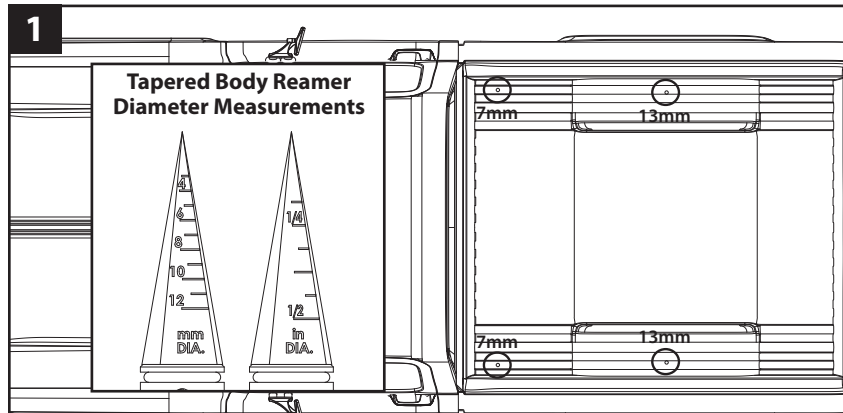
- 2.0mm hex wrench
- Tapered body reamer (part #3433 or #3433X, sold separately)



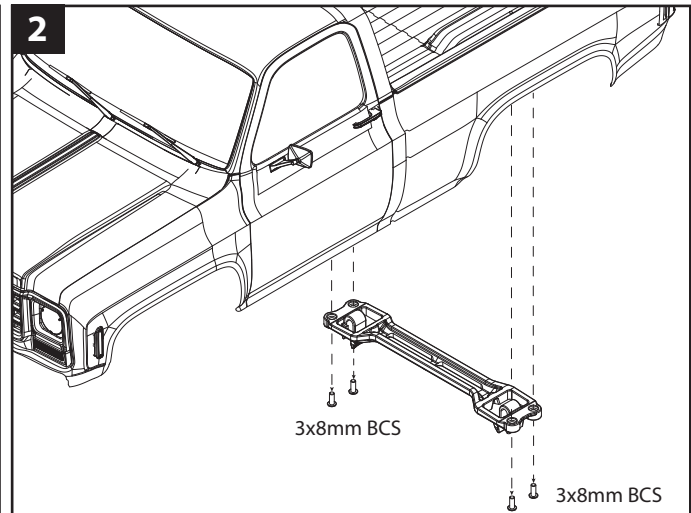
CAUTION: RISK OF INJURY!

Use care with hobby knives, tapered reamers, and other cutting tools as they are extremely sharp and can cause severe injury, deep cuts, and/or punctures.

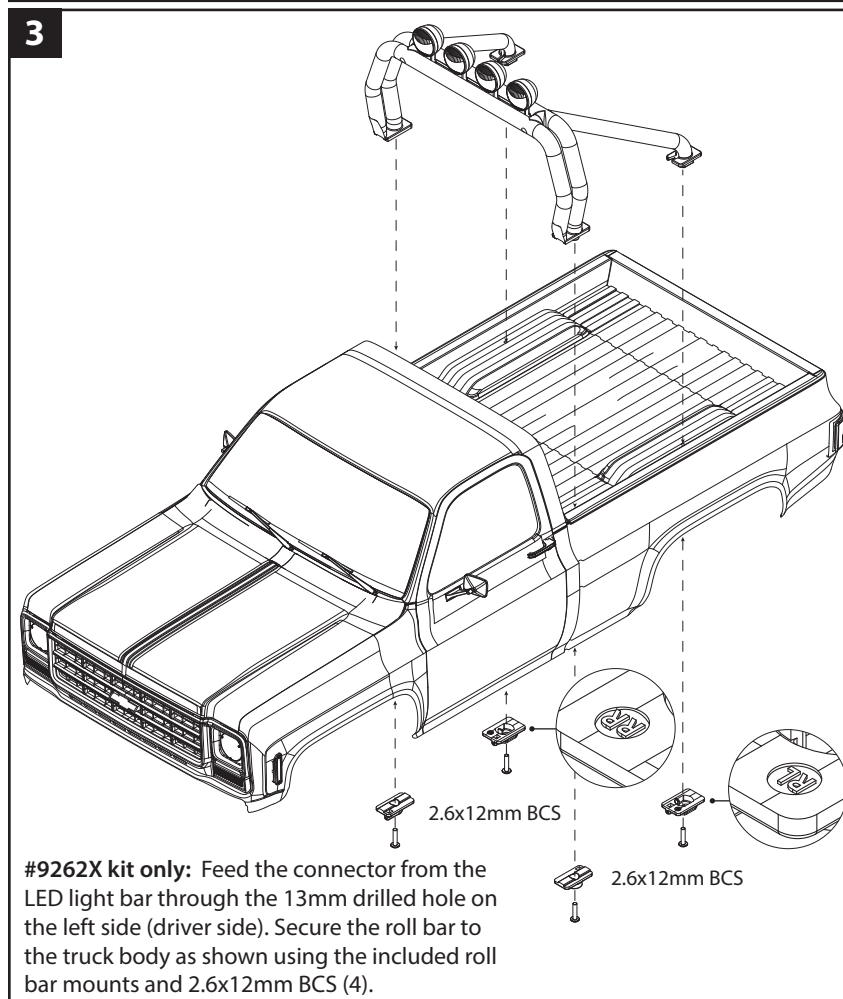
Note: The LED light bar is only included with the #9262X kit. Installation of the Pro Scale® Advanced Lighting Control System (part #6591) or the LED lighting module (part #8028) (each sold separately) is required to provide power to the LED light bar.



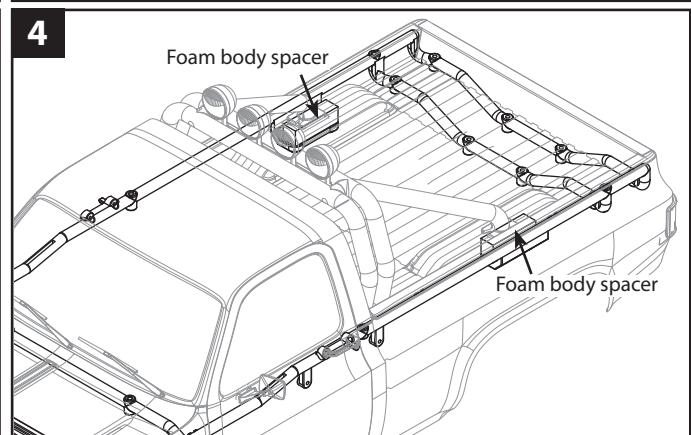
Using the molded-in dimples in the truck bed as a guide, carefully cut two front 7mm (0.275") holes and two rear 13mm (0.5") holes in the bed with a tapered body reamer to allow clearance for the screw bosses on the roll bar and mounts (*note the hole diameter measurements on the body reamer*).



Remove the rear cliplatch by removing the 3x8 BCS (4).



#9262X kit only: Feed the connector from the LED light bar through the 13mm drilled hole on the left side (driver side). Secure the roll bar to the truck body as shown using the included roll bar mounts and 2.6x12mm BCS (4).



Remove the existing foam body spacers (2) from the flat surfaces on the body cage (underside of body) as shown, and then peel the backing from the new foam body spacers and attach them in the same locations. Reinstall the cliplatch.

Lighting connection (#9262X kit only): We recommend use of the Pro Scale Advanced Lighting Control System (part #6591, sold separately) to power the LED lights. Simply plug the black wire from the LED light bar into port M of the distribution block on the truck body, and it will have full Pro Scale functionality with high beam, low beam, and daytime (lights off) modes. Alternatively, the light bar can be plugged directly into the LED lighting module (part #8028, also sold separately) to power the lights and the lights will turn on when the speed control is turned on.